

Kite
performance

**WORLD CHAMPIONS
CHOOSE THE BEST!**

catalogo n° 6.1 - 2012



*Antonio Cairoli
KTM 350 SX-F World Champion MX1
Red Bull Teka KTM Factory Racing*



*Ken Roczen
KTM 250 SX-F World Champion MX2
Red Bull Teka KTM Factory Racing*



*Juha Salminen
Husqvarna TE 250 World Champion E1
Husqvarna CH Racing Monster Energy Team*



*Antoine Meo
Husqvarna TE 310 World Champion E2
Husqvarna CH Racing Monster Energy Team*

INDICE - INDEX

	pag. page
Teste 2T - 2 stroke cylinder head	4
Ruote "SPORT" MX-EN	
MX-EN "SPORT" wheels	6-7
Ruote "ELITE" MX-EN	
MX-EN "ELITE" wheels	8-9
Mozzi - Hubs	10
Ricambi cuscinetti e distanziali	
Bearings and spacers spare parts	
Kit raggi - Spokes kit	11
Dispositivo di partenza - Launch control	12
Pedane MX - MX foot pegs	13
Piastre minicross - Minicross triple clamps	14
Ruote e mozzi minicross	
Minicross hubs and wheels	
Ricambi cuscinetti e distanziali	
Bearings and spacers spare parts	
Kit raggi Spokes kit	15
Piastre MX-EN	
MX-EN triple clamps	16-17
Piastre superiori MX-EN	
MX-EN upper plate	17
Attacchi manubrio MX-EN	
MX-EN handlebar clamps off-road	18
Racing parts KTM	20
Scambiatori di calore	
Heat exchangers	22
Kit tubi silicone	
Silicon hoses kit	23
Sfiato serbatoio - Air vent	
Recupero liquidi - Liquid recover tank	
Fissaggio superiore - OEM upper clamp	
Ghiera per chiusura piastra	
Triple clamps nut	24
Kit carburatore - Carburettor kit	
Fermacopertone - Rim lock	
Leva accensione a caldo - Hot start	26
Kit motore - Engine kit	
Kit freno - Brake kit	28
Tappi olio - Oil caps	29
Accessori vari - Accessories	30-31
Registri tendicatena	
Axle blocks	32-33
Manubrio - Handlebar	34
Pedane motard - Motard foot pegs	37
Ruote SM	
SM wheels	38-39
Piastre SM - SM triple clamps	40
Attacchi manubrio SM	
SM handlebar clamps	41
Schede tecniche	
Technical informations	42-43
BMW	II-V

ph. Ray Archer



Via alle Villette, 48 - 23826 MANDELLO DEL LARIO (LC)
Tel. +39.0341.701323 - Fax +39.0341.702850
info@kiteperformance.biz

www.kiteperformance.biz

in collaborazione con
in collaboration with

alpina



E1
2008

Mika Ahola
Honda CRE 250 F
Jolly Racing Team



MX1
2009

Antonio Cairoli
Yamaha XZF 450
Team De Carli Racing



E1
2010

Antoine Meo
Husqvarna TE 250
Team CH Racing Husqvarna Factory



MX1
2010

Antonio Cairoli
KTM SXF 350
Team De Carli Racing KTM Factory



MX2
2010

Marvin Musquin
KTM SXF 250
Team KTM Factory



E1

Juha Salminen
Husqvarna TE 250
Husqvarna CH Racing
Monster Energy



E2

Antoine Meo
Husqvarna TE 310
Husqvarna CH Racing
Monster Energy



MX1

Antonio Cairoli
KTM 350 SX-F
Red Bull Teka KTM Factory Racing



MX2

Ken Roczen
KTM 250 SX-F
Red Bull Teka KTM Factory Racing

MX1 Antonio Cairoli 350 SX-F
Red Bull Teka KTM Factory Racing



TESTE 2T 2 STROKE CYLINDER HEAD

Codice: Code:	Modello: Model:	Anno: Year:
01.001.T	Honda CR125	05/07
01.002.T	Yamaha YZ125	06/12
01.003.T	Suzuki RM125	06/12
01.004.T	Kawasaki KX125	06/12
01.005.T	KTM SX125	06/12

Nel kit sono comprese 2 camere di combustione
2 combustion chambers included



CAMERE DI COMBUSTIONE COMBUSTION CHAMBERS

Codice: Code:	Modello: Model:	Anno: Year:
01.009.A	Honda CR125	05/07
01.009.B	Honda CR125	05/07
01.010.A	Yamaha YZ125	06/12
01.010.B	Yamaha YZ125	06/12
01.011.A	Suzuki RM125	06/12
01.011.B	Suzuki RM125	06/12
01.012.A	Kawasaki KX125	06/12
01.012.B	Kawasaki KX125	06/12
01.013.A	KTM SX125	06/12
01.013.B	KTM SX125	06/12

- XX.XXX.A Camera sferica – migliora i bassi regimi
Spheric shape chamber – improve the performance at the lower rpm
- XX.XXX.B Camera troncoconica – migliora gli alti regimi
Truncated cone shape – improve the performance at the high rpm



CAMERE DI COMBUSTIONE SEMILAVORATE HALF-MACHINED COMBUSTION CHAMBERS

Codice: Code:	Modello: Model:	Anno: Year:
01.006.0	Kawasaki KX125	06/12
01.007.0	Yamaha YZ125 Suzuki RM125	06/12
01.008.0	KTM SX125	06/12
01.016.0	Honda CR125	05/07

Per i preparatori che vogliono fare da se:
For the self made expert preparer:





*Ryan Dungey SX-F450
Team KTM Factory*



RUOTE "SPORT" MX - EN MX - EN "SPORT" WHEELS

La nuova famiglia di ruote "KITE SPORT" è adatta a chi fa dell'offroad uno stile di vita

The new family of wheels "KITE SPORT" is suitable for those who live an "Offroad lifestyle"

La ruota monta sempre cerchi di colore nero e i nipples hanno sempre lo stesso colore del mozzo.

The wheel is always assembled with black rims and nipples are always in the same colors of the hub.



KTM



Codice: Code:	Misure: Sizes:	Modello: Model:	Anno: Year:
20.207.E	Ant/Front 1.60"x21"	SX 125/250 SXF 250/450/505 EXC 125/250/300 EXCF 250/450/530 SXF 350	03/12 03/12 03/12 03/12 11/12
20.208.E	Post/Rear 1.85"x19"	SX 125 SXF 250 EXC 125 EXCF 250	90/12 90/12 90/12 90/12
20.209.E	Post/Rear 2.15"x19"	SX 250 SXF 450/505 EXC 250/300 EXCF 450/530 SXF 350	90/12 90/12 90/12 90/12 11/12
20.210.E	Post/Rear 2.15"x18"	SX 125/250 SXF 250/450/505 EXC 125/250/300 EXCF 250/450/530	90/12 90/12 90/12 90/12

SUZUKI



Codice: Code:	Misure: Sizes:	Modello: Model:	Anno: Year:
20.107.E	Ant/Front 1.60"x21"	RMZ 250	04/06
20.108.E	Post/Rear 1.85"x19"	RMZ 250	04/06
20.110.E	Post/Rear 2.15"x18"	RMZ 250	04/06
20.307.E	Ant/Front 1.60"x21"	RMZ 250 RMZ 450	07/12 05/12
20.308.E	Post/Rear 1.85"x19"	RMZ 250	07/12
20.309.E	Post/Rear 2.15"x19"	RMZ 450	05/12
20.310.E	Post/Rear 2.15"x18"	RMZ 250 RMZ 450	07/12 05/12

HUSQVARNA



Codice: Code:	Misure: Sizes:	Modello: Model:	Anno: Year:
20.257.E	Ant/Front 1.60"x21"	CR-WR 125 TC-TE-TXC 250/310 TC-TE-TXC 449/511	11/12 11/12 11/12
20.258.E	Post/Rear 1.85"x19"	CR-WR 125 TC-TE-TXC 250/310	11/12 11/12
20.259.E	Post/Rear 2.15"x19"	CR-WR 125 TC-TE-TXC 250/310	11/12 11/12
20.260.E	Post/Rear 2.15"x18"	CR-WR 125 TC-TE-TXC 250/310	11/12 11/12

YAMAHA



Codice: Code:	Misure: Sizes:	Modello: Model:	Anno: Year:
20.507.E	Ant/Front 1.60"x21"	YZ 125/250 YZF 250/450 WR 125/250 WRF 250/450	00/12 02/12 00/12 02/12
20.508.E	Post/Rear 1.85"x19"	YZF 250	09/12
20.509.E	Post/Rear 2.15"x19"	YZF 450	09/12
20.510.E	Post/Rear 2.15"x18"	YZF 250/450	09/12

KAWASAKI



Codice: Code:	Misure: Sizes:	Modello: Model:	Anno: Year:
20.107.E	Ant/Front 1.60"x21"	KX 125/250 KXF 250/450	06/12 06/12
20.108.E	Post/Rear 1.85"x19"	KX 125 KXF 250	03/12 03/12
20.109.E	Post/Rear 2.15"x19"	KX 250 KXF 450	03/12 06/12
20.110.E	Post/Rear 2.15"x18"	KX 125/250 KXF 250/450	03/12 03/12

HONDA



Codice: Code:	Misure: Sizes:	Modello: Model:	Anno: Year:
20.007.E	Ant/Front 1.60"x21"	CR 125/250 CRF 250/450	00/07 03/12
20.008.E 36 fori/36 holes	Post/Rear 1.85"x19"	CR 125 CRF 250	00/07 03/12
20.009.E 36 fori/36 holes	Post/Rear 2.15"x19"	CR 250 CRF 450	00/07 03/12
20.010.E 36 fori/36 holes	Post/Rear 2.15"x18"	CR 125/250 CRF 250/450	00/07 03/12



RUOTE "ELITE" MX - EN MX - EN "ELITE" WHEELS

La famiglia di ruote "KITE ELITE" è adatta a chi pretende il meglio da un prodotto racing e vincente
The family of wheels "KITE ELITE" is suitable for those who want the best product to race and win

La ruota monta sempre cerchi di colore nero e i nipples hanno sempre lo stesso colore del mozzo.
The wheel is always assembled with black rims and nipples are always in the same colors of the hub.



KTM



Codice: Code:	Misure: Sizes:	Modello: Model:	Anno: Year:
20.207.0	Ant/Front 1.60"x21"	SX 125/250 SXF 250/450/505 EXC 125/250/300 EXCF 250/450/530 SXF 350	03/12 03/12 03/12 03/12 11/12
20.208.0	Post/Rear 1.85"x19"	SX 125 SXF 250 EXC 125 EXCF 250	90/12 90/12 90/12 90/12
20.209.0	Post/Rear 2.15"x19"	SX 250 SXF 450/505 EXC 250/300 EXCF 450/530 SXF 350	90/12 90/12 90/12 90/12 11/12
20.210.0	Post/Rear 2.15"x18"	SX 125/250 SXF 250/450/505 EXC 125/250/300 EXCF 250/450/530	90/12 90/12 90/12 90/12

SUZUKI



Codice: Code:	Misure: Sizes:	Modello: Model:	Anno: Year:
20.107.0	Ant/Front 1.60"x21"	RMZ 250	04/06
20.108.0	Post/Rear 1.85"x19"	RMZ 250	04/06
20.110.0	Post/Rear 2.15"x18"	RMZ 250	04/06
20.307.0	Ant/Front 1.60"x21"	RMZ 250 RMZ 450	07/12 05/12
20.308.0	Post/Rear 1.85"x19"	RMZ 250	07/12
20.309.0	Post/Rear 2.15"x19"	RMZ 450	05/12
20.310.0	Post/Rear 2.15"x18"	RMZ 250 RMZ 450	07/12 05/12

HUSQVARNA



Codice: Code:	Misure: Sizes:	Modello: Model:	Anno: Year:
20.157.0	Ant/Front 1.60"x21"	TC 250/450/510 TE 250/450/510	00/10 00/10
20.158.0	Post/Rear 1.85"x19"	TC 250 TE 250	00/10 00/10
20.159.0	Post/Rear 2.15"x19"	TC 450/510 TE 450/510	00/10 00/10
20.160.0	Post/Rear 2.15"x18"	TC 250/450/510 TE 250/450/510	00/10 00/10
20.257.0	Ant/Front 1.60"x21"	CR-WR 125 TC-TE-TXC 250/310 TC-TE-TXC 449/511	11/12 11/12 11/12
20.258.0	Post/Rear 1.85"x19"	CR-WR 125 TC-TE-TXC 250/310	11/12 11/12
20.259.0	Post/Rear 2.15"x19"	CR-WR 125 TC-TE-TXC 250/310	11/12 11/12
20.260.0	Post/Rear 2.15"x18"	CR-WR 125 TC-TE-TXC 250/310	11/12 11/12

YAMAHA



Codice: Code:	Misure: Sizes:	Modello: Model:	Anno: Year:
20.507.0	Ant/Front 1.60"x21"	YZ 125/250 YZF 250/450 WR 125/250 WRF 250/450	00/12 02/12 00/12 02/12
20.058.0	Post/Rear 1.85"x19"	YZ 125 YZF 250 WR 125 WRF 250	00/12 02/08 00/12 02/12
20.059.0	Post/Rear 2.15"x19"	YZ 250 YZF 450 WR 250 WRF 450	00/12 02/08 00/12 02/12
20.060.0	Post/Rear 2.15"x18"	YZ 125/250 YZF 250/450 WR 125/250 WRF 250/450	00/12 02/08 00/12 02/12
20.508.0	Post/Rear 1.85"x19"	YZF 250	09/12
20.509.0	Post/Rear 2.15"x19"	YZF 450	09/12
20.510.0	Post/Rear 2.15"x18"	YZF 250/450	09/12

KAWASAKI



Codice: Code:	Misure: Sizes:	Modello: Model:	Anno: Year:
20.107.0	Ant/Front 1.60"x21"	KX 125/250 KXF 250/450	06/12 06/12
20.108.0	Post/Rear 1.85"x19"	KX 125 KXF 250	03/12 03/12
20.109.0	Post/Rear 2.15"x19"	KX 250 KXF 450	03/12 06/12
20.110.0	Post/Rear 2.15"x18"	KX 125/250 KXF 250/450	03/12 03/12

HONDA



Codice: Code:	Misure: Sizes:	Modello: Model:	Anno: Year:
20.007.0	Ant/Front 1.60"x21"	CR 125/250 CRF 250/450	00/07 03/12
20.008.0 36 fori/36 holes	Post/Rear 1.85"x19"	CR 125 CRF 250	00/07 03/12
20.009.0 36 fori/36 holes	Post/Rear 2.15"x19"	CR 250 CRF 450	00/07 03/12
20.010.0 36 fori/36 holes	Post/Rear 2.15"x18"	CR 125/250 CRF 250/450	00/07 03/12



MOZZI HUBS



HUSQVARNA

Codice: Code:	Modello: Model:	Anno: Year:
20.155.0* Ant/Front	SM 450/510/610	00/10
20.155.1* Ant/Front	TC 250/450/510 TE 250/450/510	00/10 00/10
20.156.0* Post/Rear	TC 250/450/510 TE 250/450/510 SM 450/510/610	00/10 00/10 00/10
20.155.2** Ant/Front	SM 450/510/610	00/10
20.155.3** Ant/Front	TC 250/450/510 TE 250/450/510	00/10 00/10
20.156.1** Post/Rear	TC 250/450/510 TE 250/450/510 SM 450/510/610	00/10 00/10 00/10
20.255.0 Ant/Front	CR-WR 125 TC-TE-TXC 250/310 TC-TE-TXC 449/511	11/12 11/12 11/12
20.256.0 Post/Rear	CR-WR 125 TC-TE-TXC 250/310	11/12 11/12

KTM



Codice: Code:	Modello: Model:	Anno: Year:
20.205.0 Ant/Front	SX 125/250 SXF 250/450/505 EXC 125/250/300 EXCF 250/450/530 SXF 350	03/12 03/12 03/12 03/12 11/12
20.206.0 Post/Rear	SX 125/250 SXF 250/450/505 EXC 125/250/300 EXCF 250/450/530 SXF 350	90/12 90/12 90/12 90/12 11/12



KAWASAKI

Codice: Code:	Modello: Model:	Anno: Year:
20.105.0 Ant/Front	KX 125/250 KXF 250/450	06/12 06/12
20.106.0 Post/Rear	KX 125/250 KXF 250/450	03/12 06/12

* Foratura Husqvarna originale (destra) / Husqvarna OEM holes (right)

** Foratura Kite (sinistra) / Kite holes (left)



HONDA

Codice: Code:	Modello: Model:	Anno: Year:
20.005.0 Ant/Front	CR 125/250 CRF 250/450	00/07 03/12
20.006.0 Post/Rear 32 fori/holes	CR 125/250 CRF 250/450	00/07 03/12
20.006.1 Post/Rear 36 fori/holes	CR 125/250 CRF 250/450	00/07 03/12



YAMAHA

Codice: Code:	Modello: Model:	Anno: Year:
20.505.1 Ant/Front	YZ 125/250 YZF 250/450 WR 125/250 WRF 250/450	00/12 02/12 00/12 02/12
20.056.0 Post/Rear	YZ 125/250 YZF 250/450 WR 125/250 WRF 250/450	00/09 02/08 00/09 02/09
20.506.0 Post/Rear	YZF 250/450	09/12



SUZUKI

Codice: Code:	Modello: Model:	Anno: Year:
20.105.0 Ant/Front	RMZ 250	04/06
20.106.0 Post/Rear	RMZ 250	04/06
20.305.0 Ant/Front	RMZ 250 RMZ 450	07/12 05/12
20.306.0 Post/Rear	RMZ 250 RMZ 450	07/12 05/12



RICAMBI CUSCINETTI E DISTANZIALI *BEARINGS AND SPACERS SPARE PARTS*

Codice: Code:	Ricambio per: Spare parts for:
30.900.0	20.005.0
30.901.0	20.006.0 - 20.006.1
30.902.0	20.056.0
30.903.0	20.105.0
30.904.0	20.106.0
30.905.0	20.155.0 - 20.155.1
30.906.0	20.156.0
30.907.0	20.205.0
30.908.0	20.206.0
30.909.0	20.305.0
30.910.0	20.306.0
30.911.0	20.255.0
30.912.0	20.256.0
30.913.0	20.505.0
30.914.0	20.506.0



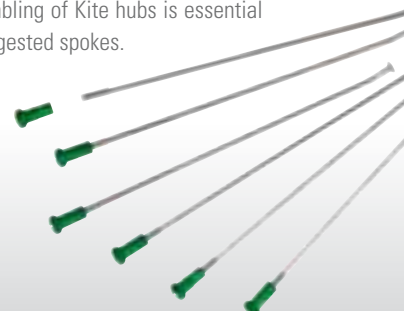
Per una corretta manutenzione
usa solo prodotti di qualità!
For a proper maintenance uses
only quality products!



KIT RAGGI SPOKES KIT

Codice: Code:	Misure: Sizes:	Quantità: Quantity:
20.901.0	Ant/Front 21"	12
20.903.0	Ant/Front 17"	12
20.905.0	Ant/Front 16.5"	12
20.907.0	Post/Rear 19"	12
20.909.0	Post/Rear 18"	12
20.911.0	Post/Rear 17"	12

RICAMBIO PER RUOTE KITE: per un
corretto montaggio dei mozzi Kite è
indispensabile l'utilizzo dei raggi proposti.
SPARE PARTS FOR KITE WHEELS: for a
correct assembling of Kite hubs is essential
using the suggested spokes.

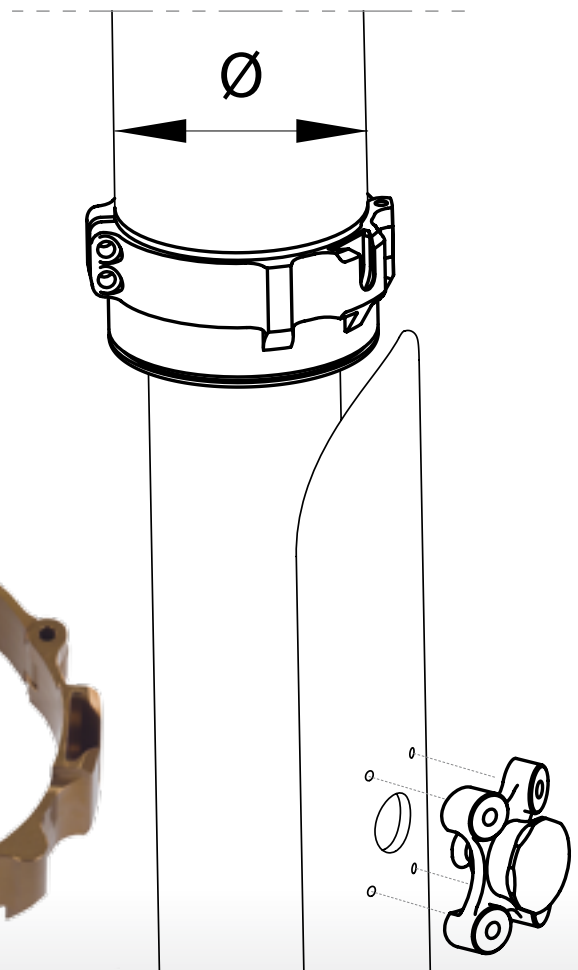




DISPOSITIVO DI PARTENZA LAUNCH CONTROL



Codice: Code:	Modello: Model:	Diametro: Diameter: Ø
18.200.0	KTM	62 mm
18.210.0	HONDA SUZUKI YAMAHA KAWASAKI HUSQVARNA	64 mm

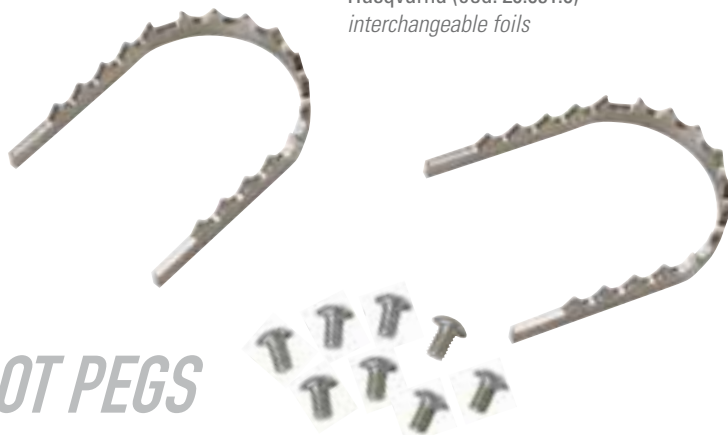




Il KIT PEDANA viene fornito con lamine di ricambio.
The FOOTPEG KIT contain interchangeable foils.

29.030.0 kit lamine di ricambio
interchangeable foils

29.068.0 kit lamine di ricambio per
Husqvarna (cod. 29.051.0)
interchangeable foils



PEDANE MX-EN MX-EN FOOT PEGS

KTM



Codice: Code:	Modello: Model:	Anno: Year:
29.017.0	SX 125/250	00/12
	SXF 250/350/450	00/12
	EXC 125/250	00/12
	EXCF 250/450	00/12

HONDA



Codice: Code:	Modello: Model:	Anno: Year:
29.010.0	CR 125/250	02/07
	CRF 250/450	02/12

SUZUKI



Codice: Code:	Modello: Model:	Anno: Year:
29.035.0	RMZ 250	07/09
29.041.0	RMZ 450	08/09
29.046.0	RMZ 250	10/11
	RMZ 450	10
	RMZ 450	12
29.070.0	RMZ 450	11

YAMAHA



Codice: Code:	Modello: Model:	Anno: Year:
29.022.0	YZ 125/250	96/12
	YZF 250/450	96/12
	WR 125/250	96/12
	WRF 250/450	96/12

KAWASAKI



Codice: Code:	Modello: Model:	Anno: Year:
29.040.0	KXF 250	06/12
	KXF 450	07/12

HUSQVARNA



Codice: Code:	Modello: Model:	Anno: Year:
29.051.0	TC-TE	01/12



PIASTRE MINICROSS TRIPLE CLAMPS

COMPLETE COMPLETE

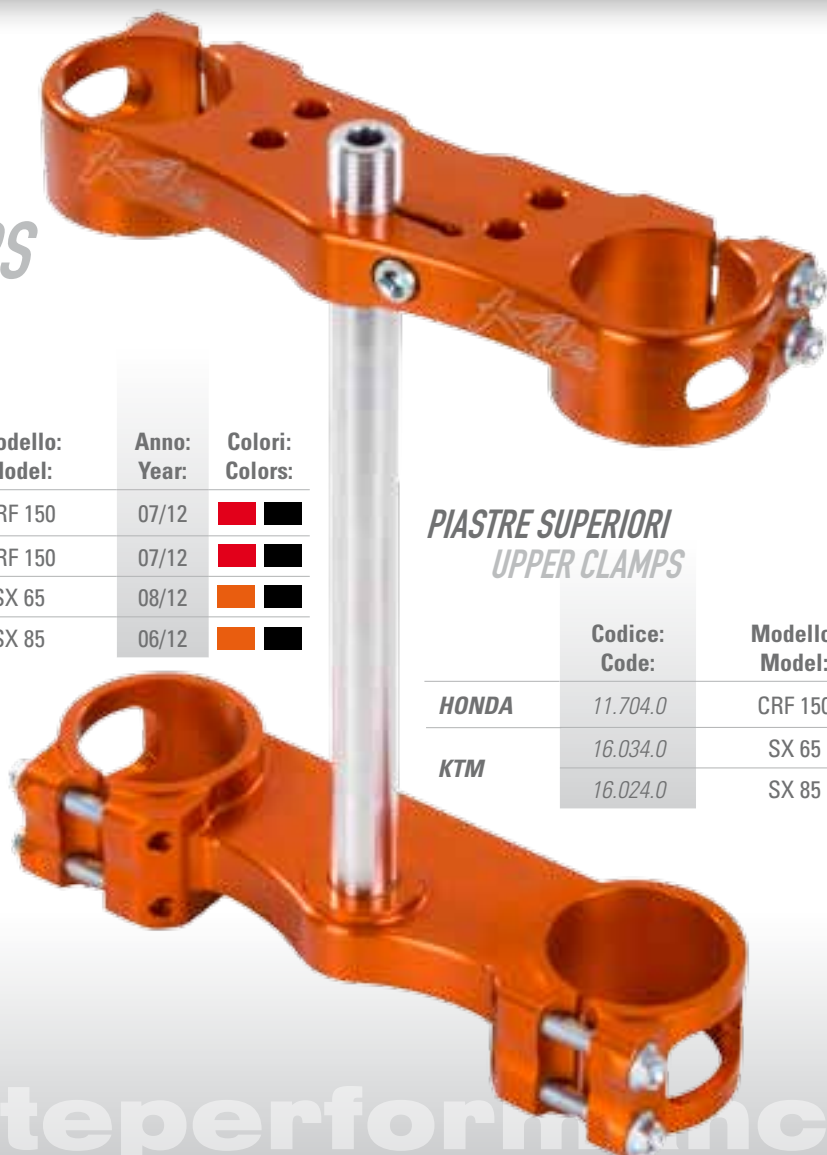
	Codice: Code:	Modello: Model:	Anno: Year:	Colori: Colors:
HONDA	11.700.0	CRF 150	07/12	■ ■
	11.710.0*	CRF 150	07/12	■ ■
KTM	16.030.0	SX 65	08/12	■ ■
	16.020.0	SX 85	06/12	■ ■

*Versione ad avancorsa modificata per migliorare la maneggevolezza - Improved trail version

Per gli attacchi manubrio vedi pag. 41
Handle bar clamps see pag. 41

PIASTRE SUPERIORI UPPER CLAMPS

	Codice: Code:	Modello: Model:	Anno: Year:	Colori: Colors:
HONDA	11.704.0	CRF 150	07/12	■ ■
KTM	16.034.0	SX 65	08/12	■ ■
	16.024.0	SX 85	06/12	■ ■



RUOTE E MOZZI MINICROSS MINICROSS HUBS AND WHEELS

MOZZI HUBS	Codice: Code:	Modello: Model:	Anno: Year:	Colori: Colors:
HONDA	20.405.0 Ant/Front 28 fori/holes	CRF 150	07/12	
	20.405.1 Ant/Front 32 fori/holes	CRF 150	07/12	
	20.406.0 Post/Rear	CRF 150	07/12	
KTM	20.655.0 Ant/Front	SX 65	08/12	
	20.656.0 Post/Rear	SX 65	08/12	
	20.705.0 Ant/Front	SX 85	06/11	
	20.711.0 Ant/Front	SX 85	12	
	20.706.0 Post/Rear	SX 85	06/12	
YAMAHA SUZUKI	20.755.0 Ant/Front	YZ 85 RM 85	00/12	
	20.756.0 Post/Rear	YZ 85 RM 85	00/12	
KAWASAKI	20.805.0 Ant/Front	KX 85	01/12	
	20.806.0 Post/Rear	KX 85	01/12	

RUOTE WHEELS	Codice: Code:	Modello: Model:	Anno: Year:	Colori: Colors:
HONDA	20.407.0 Ant/Front 32 fori/holes	CRF 150 1,60"x19"	07/12	
	20.409.0 Post/Rear	CRF 150 1,85"x16"	07/12	
	20.657.0 Ant/Front	SX 65 1,60"x14"	08/12	
KTM	20.659.0 Post/Rear	SX 65 1,60"x12"	08/12	
	20.707.0 Ant/Front	SX 85 1,60"x19"	06/11	
	20.712.0 Ant/Front	SX 85 1,60"x19"	12	
	20.709.0 Post/Rear	SX 85 1,85"x16"	06/12	
YAMAHA SUZUKI	20.757.0 Ant/Front	YZ 85/RM 85 1,60"x19"	06/12	
	20.759.0 Post/Rear	YZ 85/RM 85 1,85"x16"	00/12	
KAWASAKI	20.807.0 Ant/Front	KX 85 1,60"x19"	01/12	
	20.809.0 Post/Rear	KX 85 1,85"x16"	01/12	



RICAMBI CUSCINETTI E DISTANZIALI BEARINGS AND SPACERS SPARE PARTS

30.915.0	Kit cuscinetti e distanziali 20.405.0 - 20.405.1
30.916.0	Kit cuscinetti e distanziali 20.406.0
30.917.0	Kit cuscinetti e distanziali 20.655.0
30.918.0	Kit cuscinetti e distanziali 20.656.0
30.919.0	Kit cuscinetti e distanziali 20.705.0
30.920.0	Kit cuscinetti e distanziali 20.706.0
30.921.0	Kit cuscinetti e distanziali 20.711.0
30.922.0	Kit cuscinetti e distanziali 20.755.0
30.923.0	Kit cuscinetti e distanziali 20.756.0
30.924.0	Kit cuscinetti e distanziali 20.805.0
30.925.0	Kit cuscinetti e distanziali 20.806.0

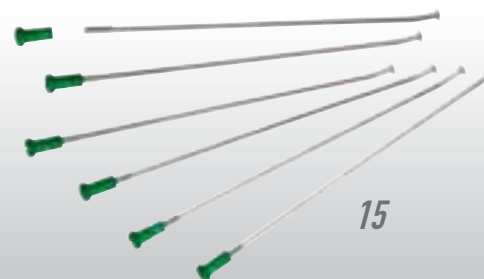


KIT RAGGI SPOKES KIT

Codice: Code:	Misure: Sizes:	Quantità: Quantity:
20.918.0	Ant/Front 19"	16
20.922.0	Ant/Front 14"	16
20.920.0	Post/Rear 16"	16
20.923.0	Post/Rear 12"	16

RICAMBIO PER RUOTE KITE:
per un corretto montaggio dei
mozzi Kite è indispensabile
l'utilizzo dei raggi proposti.
SPARE PARTS FOR KITE WHEELS:
for a correct assembling of
Kite hubs is essential using
the suggested spokes.

Per una corretta manutenzione
usa solo prodotti di qualità!
For a proper maintenance uses
only quality products!





PIASTRE MX - EN TRIPLE CLAMPS

YAMAHA



Codice: Code:	Modello: Model:	Anno: Year:
12.000.0	YZ 125 YZF 250	04/05 04/05
12.010.0	YZ 125	00/03
12.020.0	YZ 250 YZF 450	04/05 04/05
12.030.0	YZ 250 YZF 450	02/03 02/03
12.040.0	YZ 125 YZF 250	06/12 06/09
12.050.0	YZ 250 YZF 450	06/12 06/07
12.060.0	YZF 450	08/09
12.080.0	YZF 250	10/11
12.090.0	YZF 450 YZF 250	10/12 12

HONDA

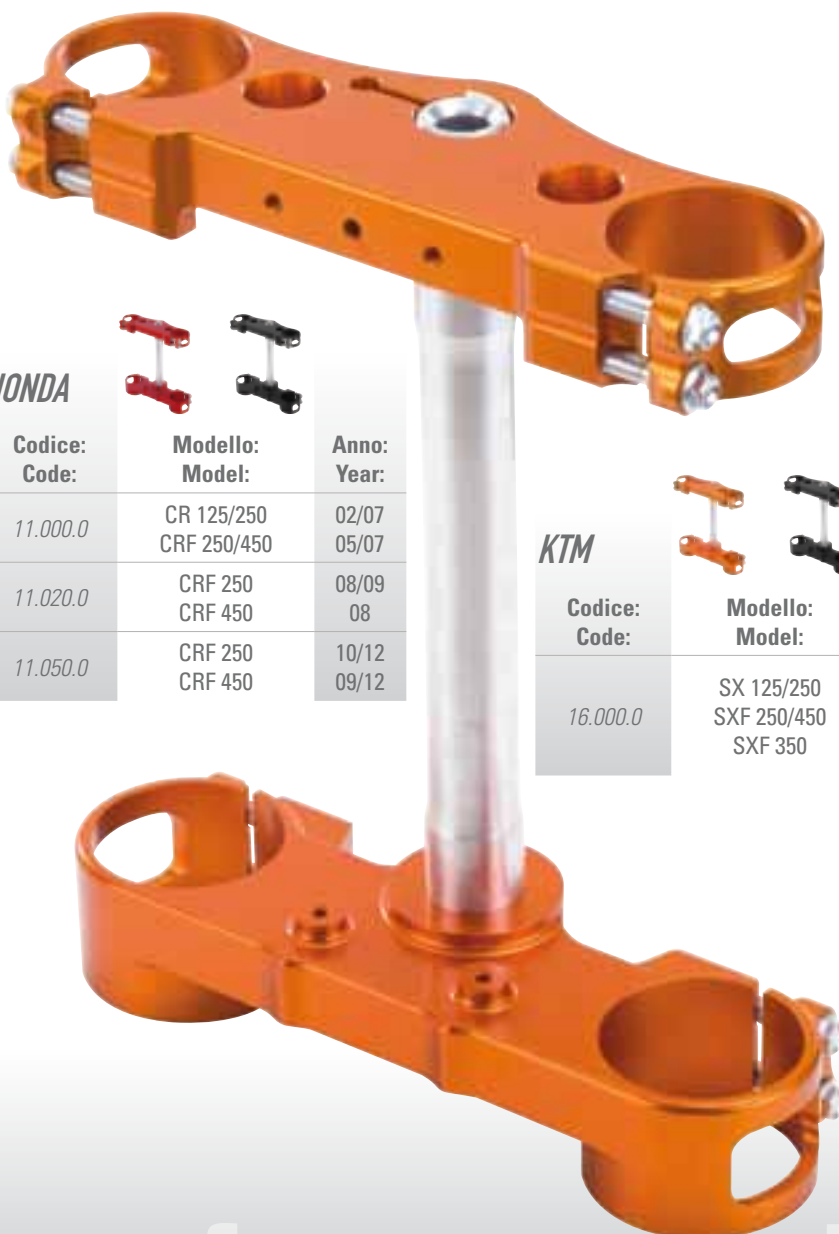


Codice: Code:	Modello: Model:	Anno: Year:
11.000.0	CR 125/250 CRF 250/450	02/07 05/07
11.020.0	CRF 250 CRF 450	08/09 08
11.050.0	CRF 250 CRF 450	10/12 09/12

KTM



Codice: Code:	Modello: Model:	Anno: Year:
16.000.0	SX 125/250 SXF 250/450 SXF 350	03/12 03/12 11/12



SUZUKI



Codice: Code:	Modello: Model:	Anno: Year:
13.000.0	RM 125/250	03/09
13.020.0	RMZ 250 RMZ 450	07/09 05/07
13.030.0	RMZ 250 RMZ 450	10/12 08/09
13.040.0	RMZ 450	10/12
14.000.0	RMZ 250	04/06

KAWASAKI



Codice: Code:	Modello: Model:	Anno: Year:
14.000.0	KX 125/250 KXF 250	03/11 04/05
14.010.0	KXF 250	06/08
14.020.0	KXF 450	06/08
14.030.0	KXF 250	09/12
14.040.0	KXF 450	09/11
14.070.0	KXF 450	12

HUSQVARNA



Codice: Code:	Modello: Model:	Anno: Year:
15.000.0	TC-TE 450	06/09
15.010.0	TC-TE 250	06/09
15.030.0	TC-TE 450 TC-TE 250 TC-TE 449	10 10/12 11/12
15.050.0*	TC-TE 450 TC-TE 250 TC-TE 449	10 10/12 11/12

Per maggiori informazioni tecniche vedi pag. 30
For further technical information see page 30

* Husqvarna racing replica. Versione ad avancorsa e interasse modificati per migliorare la maneggevolezza
Husqvarna racing replica. Improved trail version

Per gli attacchi manubrio vedi pag. 41
Handle bar clamps see pag. 41

PIASTRE SUPERIORI MX - EN MX - EN UPPER PLATE



KTM



Codice: Code:	Modello: Model:	Anno: Year:
16.004.0	SX 125/250 SXF 250/450 SXF 350	03/12 03/12 11/12

HONDA



Codice: Code:	Modello: Model:	Anno: Year:
11.004.0	CR 125/250 CRF 250/CRF 450	02/07 05/07
11.024.0	CRF 250 CRF 450	08/09 08
11.054.0	CRF 250 CRF 450	10/12 09/12

YAMAHA



Codice: Code:	Modello: Model:	Anno: Year:
12.004.0	YZ 125/250 YZF 250/450	04/05 04/05
12.044.0	YZ 125/250 YZF 250/450	06/09 06/09
12.084.0	YZF 250	10/11
12.094.0	YZF 450 YZF 250	10/12 12

SUZUKI



Codice: Code:	Modello: Model:	Anno: Year:
13.024.0	RMZ 250 RMZ 450	07/09 05/07
13.034.0	RMZ 250 RMZ 450	10/12 08/09
13.044.0	RMZ 450	10/12

KAWASAKI



Codice: Code:	Modello: Model:	Anno: Year:
14.014.0	KXF 250	06/08
14.024.0	KXF 450	06/08
14.034.0	KXF 250	09/12
14.044.0	KXF 450	09/11
14.074.0	KXF 450	12

HUSQVARNA



Codice: Code:	Modello: Model:	Anno: Year:
15.004.0	TC-TE 450	06/09
15.014.0	TC-TE 250	06/09
15.034.0	TC-TE 450 TC-TE 250 TC-TE 449	10 10/12 11/12

ATTACCHI MANUBRIO MX-EN MX-EN HANDLEBAR CLAMPS OFF-ROAD

1

10.005. A ø 22
10.005. B ø 28,6



UNIVERSALE
UNIVERSAL

10.302. A ø 22
10.302. B ø 28,6



PER PIASTRA KITE
FOR KITE TRIPLE
CLAMPS

10.202. A ø 22
10.202. B ø 28,6



PER PIASTRA HONDA ORIG.
FOR HONDA ORIGINAL TRIPLE
CLAMPS



2

Viti incluse
Screws included



A ricambio è possibile
fornire i kit perni
Only for spare parts is
available the pins axle kit



10.903.A → H40
10.903.B → H35
10.903.C → H50



ALTEZZA ALTA
HIGH HEIGHT
10.307.C 22 H50
10.307.D 28,6 H50



ALTEZZA STANDARD
STANDARD HEIGHT
10.307.A 22 H40
10.307.B 28,6 H40



ALTEZZA BASSA
LOW HEIGHT
10.307.E 22 H35
10.307.F 28,6 H35



3

10.004.0



10.006.0



ESEMPIO DI SCELTA CHOICE'S INSTANCE

Attacco manubrio per piastre Kite con manubrio da ø 28,6 attacco superiore unico, altezza standard con antivibranti.
Handlebar clamps ø 28,6 with unique upper clamps, standard height and rubber mounting.

- 1 ATTACCO SUPERIORE..... 10.302.B.....
- 2 ATTACCO INFERIORE..... 10.307.B.....
- 3 SISTEMA DI FISSAGGIO..... 10.006.0.....

Per maggiori informazioni tecniche vedi pag. 43
For further technical information see page 43



*E1 Juha Salminen TE 250
Husqvarna CH Racing
Monster Energy Team*



RACING PARTS KTM

Codice: Code:	Descrizione: Description:	Modello: Model:	Anno: Year:
18.011.0	Supporto pinza posteriore <i>Rear brake caliper adapter</i>	SXF 250 SXF 350 SXF 450	04/12 11/12 04/12
18.012.0	Supporto pinza anteriore <i>Front brake caliper adapter</i>	SXF 250 SXF 350 SXF 450	10/12 11/12 10/12
18.008.0	Cilindro frizione Brembo <i>Brembo clutch cylinder</i>	SXF 350	11/12



18.011.0



18.012.0



18.008.0



*MX2 Ken Roczen 250 SX-F
Red Bull Teka KTM Factory Racing*



SCAMBIATORI DI CALORE HEAT EXCHANGERS

**Codice:
Code:**

09.030.0

09.031.0

09.032.0

09.033.0

09.034.0

09.035.0

09.036.0



**Modello:
Model:**

**Anno:
Year:**

**Codice:
Code:**

**Modello:
Model:**

**Anno:
Year:**

**Codice:
Code:**

CRF450

03-04

09.030.0

KXF250

06-08

09.030.0

CRF450

05-08

09.033.0

KXF250

09-12

09.034.0

CRF450

09-12

09.034.0

YZF450

06-09

09.032.0

CRF250

05-12

09.033.0

YZF250

07-12

09.032.0

CRF150

07-12

09.036.0

RMZ250/450

06-12

09.032.0

KXF450

06-12

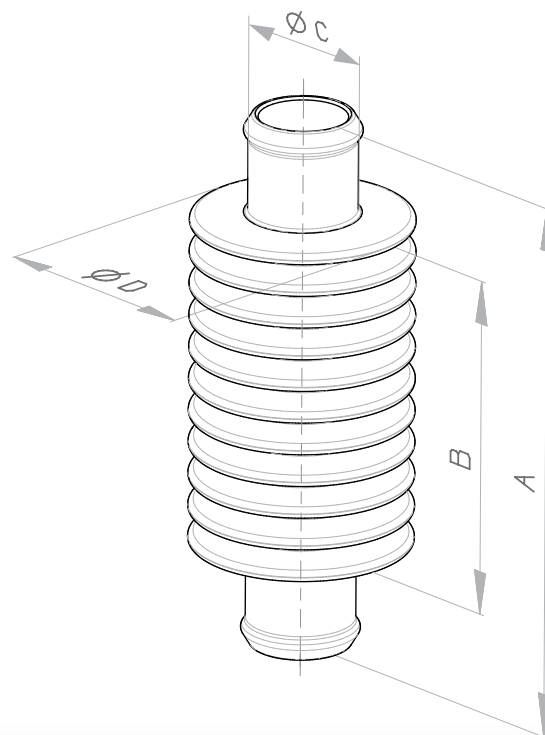
09.034.0

09.035.0

09.035.0

09.032.0

SCAMBIATORI DI CALORE HEAT EXCHANGERS




Codice: Code:	Ø C	Ø D	A	B
09.030.0	19,5	40	100	63
09.031.0	14,5	40	60	33
09.032.0	19,5	40	70	33
09.033.0	19,5	40	154	117
09.034.0	17,5	40	70	33
09.035.0	24	45	100	63
09.036.0	17,5	40	100	63

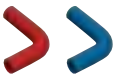


KIT TUBI SILICONE


SILICON HOSES KIT

KTM 

Codice: Code:	Modello: Model:	Anno: Year:
21.513.0	SX450	04/06
21.517.0*	EXCF400-450-530	08/12
21.518.0	SXF450	07/12
21.519.0	SXF250	07/10
21.523.0*	EXC450-525	04/07
21.524.0*	EXCF250	08/12
21.529.0	SX85	06/12
21.531.0*	EXC 300	08/12
21.533.0	SXF 350	11/12


HONDA 

Codice: Code:	Modello: Model:	Anno: Year:
21.500.0	CRF450	05/08
21.501.0	CRF250	04/09
21.508.0	CRF450	02/04
21.511.0	CRF150	07/12
21.512.0	CRF450X	05/08
21.520.0	CRF450	09/12
21.525.0	CRF250	10/12


SUZUKI 

Codice: Code:	Modello: Model:	Anno: Year:
21.506.0**	RMZ450	08/12
21.507.0	RMZ250	07/09
21.514.0	RMZ450	05
21.526.0**	RMZ250	10/12

**Eliminato termostato per migliorare raffreddamento
Without the thermostat to improve the cooling system*

YAMAHA 

Codice: Code:	Modello: Model:	Anno: Year:
21.504.0	YZF450	03/09
21.505.0	YZF250	06/09
21.515.0	YZF250 WRF250	02/05 07/12
21.516.0	WRF450	03/09
21.527.0	YZF450	10/12
21.528.0	YZF250	10/12

KAWASAKI 

Codice: Code:	Modello: Model:	Anno: Year:
21.502.0	KXF450	06/08
21.509.0	KXF250	06/08
21.521.0	KXF250	09/12
21.522.0	KXF450	09/12



HUSQUARNA 

Codice: Code:	Modello: Model:	Anno: Year:
21.530.0*	TE - TC 250	10/12

SFIATO SERBATOIO AIR VENT

Codice: Code:	Colori: Colors:
28.100.0	



SERBATOIO RECUPERO LIQUIDI LIQUID RECOVER TANK

Codice: Code:	Colori: Colors:
09.021.0	



FISSAGGIO SUPERIORE PER ATTACCHI ORIGINALI OEM UPPER CLAMPS

Codice: Code:	Modello: Model:	Anno: Year:	Colori: Colors:
10.308.0	Honda CR-CRF	.../12	
10.309.0	Yamaha YZ-YZF	.../12	
10.310.0	KTM EXC-EXCF	.../12	
10.310.1	KTM SX-SXF	.../12	
10.311.0	Kawasaki KX-KXF	05/12	
10.311.1	Kawasaki KX-KXF	00/04	
10.312.0	Suzuki RM-RMZ	.../12	
10.313.0	Husqvarna TC	.../10	



Per maggiori informazioni tecniche vedi pag. 31
For further technical information see page 31

GHIERA PER CHIUSURA PIASTRA SUPERIORE TRIPLE CLAMPS NUT

Codice: Code:	Modello: Model:	Anno: Year:	Colori: Colors:
11.007.0	Honda CR-CRF	02/12	
12.007.0	Yamaha YZ-YZF	02/12	
13.007.0	Suzuki RM-RMZ	03/12	
14.007.0	Kawasaki KX-KXF	03/12	
15.007.0	Husqvarna TC-TE	06/12	





*Taddy Blazusiak SXF 350
Team KTM Factory*



ACCESSORI CARBURATORE KEIHIN KEIHIN CARBURETTOR ACCESORIES

Codice: Code:	Descrizione: Description:	Modello: Model:	Anno: Year:
24.000.0	coperchio spillo / tap cap	tutti 4T/all 4STR (*)	.../12
24.002.0	vaschetta pompa di ripresa / acceleration pump cover	tutti 4T/all 4STR (*)	.../12
24.003.0	vite miscela aria/benzina / air/fuel mixture screw	tutti 4T/all 4STR (*)	.../12
24.004.0	kit carburatore / carburettor kit (24.000.0+24.002.0+24.003.0)	tutti 4T/all 4STR (*)	.../12

(*) valido per tutti i modelli 4T, tranne che per il CRF 250 07/09, CRF 450 08/09
Available for all 4STR models, except for CRF 250 07/09, CRF 450 08/09



TAPPO FERMACOPERTONE RIM LOCK

Codice: Code:	Colori: Colors:
20.950.0	



LEVA ACCENSIONE A CALDO HOT START

Codice: Code:	Descrizione: Model:	Colori: Colors:
09.050.0	leva accensione a caldo hot start	
09.051.0	bracciali comandi manubrio lever clamps	





*Gautier Paulin YZF 250
Team Yamaha Rinaldi*

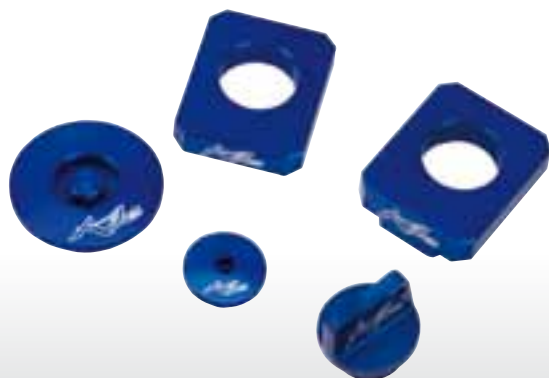


KIT MOTORE ENGINE KIT

Codice: Code:	Marca: Brand:	Modello: Model:	Anno: Year:	Colori: Colors:
09.127.0	HONDA	CRF 450	02/08	Red Black
09.136.0	HONDA	CRF 450	09/12	Red Black
09.128.0	HONDA	CRF 250	04/09	Red Black
09.148.0	HONDA	CRF 250	10/12	Red Black
09.129.0	KAWASAKI	KXF 250 KXF 450	11/12 06/12	Red Green
09.130.0	KAWASAKI	KXF 250	07/10	Red Green
09.131.0	KTM	SXF 450	08/12	Orange Black
09.132.0	SUZUKI	RMZ 250 RMZ 450	07/12 05/12	Red Blue
09.133.0	YAMAHA	YZF 450	08	Red Blue
09.134.0	YAMAHA	YZF 250	08	Red Blue
09.137.0	YAMAHA	YZF 450	09	Red Blue
09.138.0	YAMAHA	YZF 250	09/12	Red Blue
09.139.0	YAMAHA	YZF 450	10/12	Red Blue

KIT FRENO BRAKE KIT

Codice: Code:	Marca: Brand:	Modello: Model:	Anno: Year:	Colori: Colors:
17.047.0	HONDA	CRF 150 CRF 250 CRF 450	07/12 04/12 02/12	Red Black
17.048.0	KAWASAKI	KXF 250/450	07/12	Red Green
17.049.0	KTM	SXF 250/450 EXCF 250/450	04/08 04/08	Orange Black
17.050.0	SUZUKI	RMZ 250 RMZ 450	07/12 05/12	Red Blue
17.051.0	YAMAHA	YZF 250 YZF 450	07/12 08/12	Red Blue





TAPPI OLIO OIL CAPS

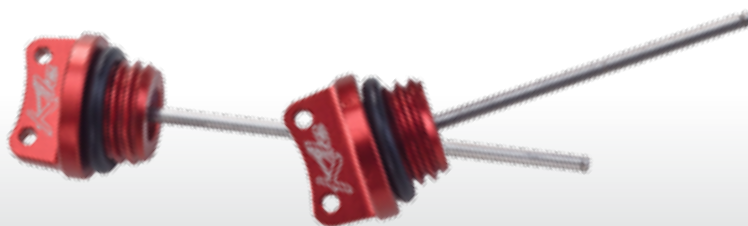
ESAGONALI EXAGONAL

Codice: Code:	Modello: Model:	Anno: Year:	Colori: Colors:	Codice: Code:	Modello: Model:	Anno: Year:
09.010.0	CR 125/250 CRF 150/250/450 KX 125 YZ 125/250 YZF 250/450	00/07 02/12 03/12 00/12 03/12	■ ■ ■ ■	09.010.2	CR 125/250 CRF 150/250/450 KX 125 YZ 125/250 YZF 250/450	00/07 02/12 03/12 00/12 03/12
09.012.0	RM 125/250 RMZ 250 RMZ 450	00/12 07/12 05/12	■ ■	09.012.2	RM 125/250 RMZ 250 RMZ 450	00/12 07/12 05/12
09.013.0	KX 250 KXF 250/450 RMZ 250	04/12 04/12 04/06	■ ■ ■	09.013.2	KX 250 KXF 250/450 RMZ 250	04/12 04/12 04/06
09.110.0	SX 85/65 SX 125/250 SXF 250/450 EXC 125/250 EXCF 250/450	06/12 00/12 00/12 00/12 00/12	■ ■	09.110.2	SX 85 SX 125/250 SXF 250/450 EXC 125/250 EXCF 250/450	00/12 00/12 00/12 00/12 00/12
09.151.0	HUSQVARNA	01/12	■ ■	09.151.2	HUSQVARNA	01/12
09.124.0	CRE 50 Minarelli AM6	07/12 07/12	■ ■			
09.143.0	CRF 250	10/12	■ ■			



TAPPI OLIO CON ASTINA ISPEZIONE OIL GAUGE CAPS

Codice: Code:	Modello: Model:	Anno: Year:	Colori: Colors:
09.144.0	CRF 250	10/12	■ ■
09.145.0	CRF 250	09	■ ■
09.146.0	CRF 450	09/12	■ ■



TAPPI MOTORE ENGINE CAPS

Codice: Code:	Modello: Model:	Anno: Year:	Colori: Colors:	Codice: Code:	Modello: Model:	Anno: Year:
09.113.0	CRF 450	02/12	■ ■	09.114.0	CRF 250	04/12
09.115.0	YZF 450	06/09	■ ■	09.116.0	YZF 250	06/12
09.117.0	KXF 250 KXF 450	11/12 06/12	■ ■	09.118.0	KXF 250	06/10
09.122.0	RMZ 250 RMZ 450	07/12 05/12	■ ■	09.140.0	YZF 450	10/12
09.125.0	SXF 450/505 SMR 450	07/12 08/12	■ ■	09.142.0	SXF 450/505/350 SMR 450	07/12 08/12

COPERCHI FILTRO OLIO OIL FILTER PLUG

Codice: Code:	Modello: Model:	Anno: Year:	Colori: Colors:
09.126.0	SXF 350/450/505 SMR 450	07/12 08/12	■ ■
09.135.0	EXC 250/400/450/525 SX 450/525 SXF 250 EXCF 250 SMR 450/560	99/07 00/06 06/12 07/12 04/07	■ ■

COPERCHI POSTERIORI REAR COVERS

Codice: Code:	Marca: Brand:	Modello: Model:	Anno: Year:	Colori: Colors:
17.002.0	HONDA	CR 125/250 CRF 150/250/450	00/07 03/12	■ ■
17.012.0	YAMAHA	YZ-WR 125/250 YZF-WRF 250/450	04/12 04/12	■ ■
17.022.0	KAWASAKI	KX-KXF 125/250/450	00/12	■ ■
	SUZUKI	RM 125/250 RMZ 250 RMZ 450	00/12 07/12 05/12	
17.032.0	KTM	SXF-EXCF 250/450	04/12	■ ■
	HUSQVARNA	TC - TE	01/12	

SERBATOIO OLIO FRENO POSTERIORE REAR BRAKE OIL RESERVOIR

Codice: Code:	Marca: Brand:	Modello: Model:	Anno: Year:	Colori: Colors:
17.000.0	HONDA	CR 125/250 CRF 150/250/450	00/07 03/12	■ ■
17.010.0	YAMAHA	YZ-WR 125/250 YZF-WRF 250/450	04/12 04/12	■ ■
17.020.0	KAWASAKI	KX-KXF 125/250/450	00/12	■ ■
	SUZUKI	RM 125/250 RMZ 250 RMZ 450	00/12 07/12 05/12	
17.030.0	KTM	SXF-EXCF 250/450	04/12	■ ■
	HUSQVARNA	TC - TE	01/12	

TIRANTE FRENO BRAKE CONNECTING ROD

Codice: Code:	Marca: Brand:	Modello: Model:	Anno: Year:	Colori: Colors:
09.001.0	HONDA	CR 125/250 CRF 150/250/450	00/07 03/12	
09.002.0	YAMAHA	YZ 125/250 YZF 250/450 WR 125/250 WRF 250/450	00/12 05/12 04/12 05/12	
	SUZUKI	RMZ 250 RMZ 450	07/12 05/12	
09.003.0	KAWASAKI	KX 125/250 KXF 250/450	00/12 04/12	
	SUZUKI	RM 125/250 RMZ 250	00/12 04/06	



COPERCHI ANTERIORI FRONT COVERS

Codice: Code:	Marca: Brand:	Modello: Model:	Anno: Year:	Colori: Colors:	
17.040.0	HONDA	CR 125/250 CRF 150/250/450	00/07 03/12		Pompa freno Nissin <i>Nissin brake pump</i>
17.041.0	YAMAHA	YZ-WR 125/250 YZF 250 YZF450-WRF250/450	04/07 04/06 04/07		Pompa freno Nissin <i>Nissin brake pump</i>
	KAWASAKI	KX 85/125/250 KXF 250/450	03/12 04/12		
	SUZUKI	RM 125/250 RMZ 250 RMZ 450	00/12 07/12 05/12		
17.042.0	KTM	SXF-EXCF 250/450 SX 85/65	00/08 06/12		Pompa frizione Magura <i>Magura clutch pump</i>
17.045.0	YAMAHA	YZ-WR 125/250 YZF 250 YZF450-WRF250/450	08/12 07/12 08/12		Pompa freno Nissin <i>Nissin brake pump</i>
	HM	CRE 50 CREF 125	06/12 08/12		
17.046.0	HM	CRE 50 CREF 125	06/12 08/12		
17.063.0	KTM	SXF-EXCF 250/450	00/12		Pompa freno / frizione Brembo <i>Brembo brake / clutch pump</i>
	HUSQVARNA	TC-TE 250	01/12		



COPERCHIO FRIZIONE + HOT START CLUTCH PUMP COVER + HOT START

Codice: Code:	Marca: Brand:	Modello: Model:	Anno: Year:	Colori: Colors:	
17.060.0	KTM	SXF 450/250	10		Pompa frizione Brembo <i>Brembo clutch pump</i>
	HUSQVARNA	TC-TE 250	10/11		





REGISTRI TENDICATENA AXLE BLOCKS

VERSIONE "LIGHT" "LIGHT" VERSION



HONDA



Codice: Code:	Modello: Model:	Anno: Year:
19.013.0	CR 125/250 CRF 250 CRF 450	02/07 02/12 02/12
19.050.0	CRF 150	07/12

YAMAHA



Codice: Code:	Modello: Model:	Anno: Year:
19.020.0	YZ 125/250 YZF 250/450 WR 125/250 WRF 250/450	03/08 03/08 03/08 03/08
19.023.0	YZF 250/450	09/12

HUSQVARNA



Codice: Code:	Modello: Model:	Anno: Year:
19.060.0	Tutti*	01/12

* esclusi i 125cc WRE-SMS
WRE-SMS 125cc excluded

SUZUKI



Codice: Code:	Modello: Model:	Anno: Year:
19.030.0	RM 125/250	00/12
19.040.0	RMZ 250	05/06
19.130.0	RMZ 250 RMZ 450	07/12 05/12

KAWASAKI



Codice: Code:	Modello: Model:	Anno: Year:
19.040.0	KX 125/250 KXF 250/450	05/12 05/12

KTM



Codice: Code:	Modello: Model:	Anno: Year:
19.080.0	Tutti	04/12



VERSIONE "QUICK RACING" "QUICK RACING" VERSION



HONDA



Codice: Code:	Modello: Model:	Anno: Year:
19.213.0	CR 125/250 CRF 250 CRF 450	02/07 02/12 02/12

YAMAHA



Codice: Code:	Modello: Model:	Anno: Year:
19.223.0	YZF 250/450	09/12

HUSQVARNA



Codice: Code:	Modello: Model:	Anno: Year:
19.260.0	Tutti*	01/12

* esclusi i 125cc WRE-SMS
WRE-SMS 125cc excluded

SUZUKI



Codice: Code:	Modello: Model:	Anno: Year:
19.230.0	RMZ 250 RMZ 450	07/12 05/12

KAWASAKI



Codice: Code:	Modello: Model:	Anno: Year:
19.240.0	KX 125/250 KXF 250/450	05/12 05/12

MANUBRIO HANDLEBAR

A - larghezza/width

B - altezza/height

C - alzata/elevation

D
piega
fold

E - distanza att. manubri
distance handlebar clamps

	A	B	C	D	E
25.007.0 - manubrio ø 22 piega Honda / ø 22 handlebar Honda fold	800	95	50	7°	170
25.008.0 - manubrio ø 22 piega alta / ø 22 handlebar high fold	800	133	72	11°	130

Colori disponibili
Available colors:



A - larghezza/width

B - altezza/height

C - alzata/elevation

D
piega
fold

E - distanza att. manubri
distance handlebar clamps

	A	B	C	D	E
25.009.0 - manubrio ø 28.6 piega Honda / ø 28.6 handlebar Honda fold	800	115	62	10°	135
25.010.0 - manubrio ø 28.6 piega alta / ø 28.6 handlebar high fold	800	126	72	11°	125

I paracolpi sono compresi nel prezzo
del manubrio / The handlebar pads
are included in the price



25.102.0 Traversino per manubri Kite ø 28.6
Crossbrace for Kite's handlebars ø 28.6

Colori disponibili
Available colors:



25.006.0 Paracolpi per manubrio ø 28.6
Handlebar pad ø 28.6



25.005.0 Paracolpi per manubrio ø 22
Handlebar pad ø 22





*E2 Antoine Meo TE 310
Husqvarna CH Racing
Monster Energy Team*



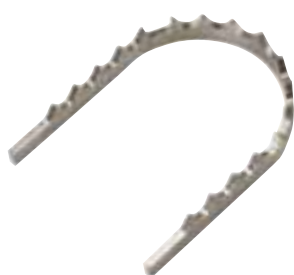
*Christian Ravaglia RMZ 450
Team Lux Performance*



PEDANE MOTARD MOTARD FOOT PEGS

Codice: Code:	Marca: Brand:	Modello: Model:	Anno: Year:	Colori: Colors:
29.056.0	SUZUKI	RMZ 450	10	
29.075.0		RMZ 450	12	
29.080.0	HONDA	CRF 450	04/12	
29.085.0	KTM	SX-F 450	00/12	
29.090.0	HUSQVARNA	SM	01/12	
29.095.0	YAMAHA	YZF	96/12	

RICAMBI SPARE PARTS



29.067.0 kit lamine di ricambio
interchangeable foils



29.069.0 kit lamine di ricambio per
Husqvarna (cod. 29.090.0)
interchangeable foils



29.008.0 ricambio slider
slider spare parts



RUOTE SM SM WHEELS

KTM



Codice: Code:	Misure: Sizes:	Modello: Model:	Anno: Year:
20.211.0	Ant/Front 3.50"x16.5"	SX 125/250	03/12
		SXF 250/450/505	03/12
		EXC 125/250/300	03/12
		EXCF 250/450/530	03/12
20.212.0	Ant/Front 3.50"x17"	SX 125/250	03/12
		SXF 250/450/505	03/12
		EXC 125/250/300	03/12
		EXCF 250/450/530	03/12
20.213.0	Post/Rear 4.25"x17"	SX 125/250	90/12
		SXF 250/450/505	90/12
		EXC 125/250/300	90/12
		EXCF 250/450/530	90/12
20.214.0	Post/Rear 4.50"x17"	SX 125/250	90/12
		SXF 250/450/505	90/12
		EXC 125/250/300	90/12
		EXCF 250/450/530	90/12
20.215.0	Post/Rear 5.00"x17"	SX 125/250	90/12
		SXF 250/450/505	90/12
		EXC 125/250/300	90/12
		EXCF 250/450/530	90/12
20.216.0	Post/Rear 5.50"x17"	SX 125/250	90/12
		SXF 250/450/505	90/12
		EXC 125/250/300	90/12
		EXCF 250/450/530	90/12



HONDA



Codice: Code:	Misure: Sizes:	Modello: Model:	Anno: Year:
20.011.0	Ant/Front 3.50"x16.5"	CR 125/250	00/07
		CRF 250/450	03/12
20.012.0	Ant/Front 3.50"x17"	CR 125/250	00/07
		CRF 250/450	03/12
20.013.0 36 fori/36 holes	Post/Rear 4.25"x17"	CR 125/250	00/07
		CRF 250/450	03/12
20.014.0 36 fori/36 holes	Post/Rear 4.50"x17"	CR 125/250	00/07
		CRF 250/450	03/12
20.015.0 36 fori/36 holes	Post/Rear 5.00"x17"	CR 125/250	00/07
		CRF 250/450	03/12
20.016.0 36 fori/36 holes	Post/Rear 5.50"x17"	CR 125/250	00/07
		CRF 250/450	03/12

YAMAHA



Codice: Code:	Misure: Sizes:	Modello: Model:	Anno: Year:
20.511.0	Ant/Front 3.50"x16.5"	YZ 125/250 YZF 250/450 WR 125/250 WRF 250/450	00/12 02/12 00/12 02/12
20.512.0	Ant/Front 3.50"x17"	YZ 125/250 YZF 250/450 WR 125/250 WRF 250/450	00/12 02/12 00/12 02/12
20.063.0	Post/Rear 4.25"x17"	YZ 125/250 YZF 250/450 WR 125/250 WRF 250/450	00/12 02/08 00/12 02/12
20.064.0	Post/Rear 4.50"x17"	YZ 125/250 YZF 250/450 WR 125/250 WRF 250/450	00/12 02/08 00/12 02/12
20.065.0	Post/Rear 5.00"x17"	YZ 125/250 YZF 250/450 WR 125/250 WRF 250/450	00/12 02/08 00/12 02/12
20.513.0	Post/Rear 4.25"x17"	YZF 250/450	09/12
20.514.0	Post/Rear 4.50"x17"	YZF 250/450	09/12
20.515.0	Post/Rear 5.00"x17"	YZF 250/450	09/12

SUZUKI



Codice: Code:	Misure: Sizes:	Modello: Model:	Anno: Year:
20.111.0	Ant/Front 3.50"x16.5"	RMZ 250	04/06
20.112.0	Ant/Front 3.50"x17"	RMZ 250	04/06
20.113.0	Post/Rear 4.25"x17"	RMZ 250	04/06
20.114.0	Post/Rear 4.50"x17"	RMZ 250	04/06
20.115.0	Post/Rear 5.00"x17"	RMZ 250	04/06
20.311.0	Ant/Front 3.50"x16.5"	RMZ 250 RMZ 450	07/12 05/12
20.312.0	Ant/Front 3.50"x17"	RMZ 250 RMZ 450	07/12 05/12
20.313.0	Post/Rear 4.25"x17"	RMZ 250 RMZ 450	07/12 05/12
20.314.0	Post/Rear 4.50"x17"	RMZ 250 RMZ 450	07/12 05/12
20.315.0	Post/Rear 5.00"x17"	RMZ 250 RMZ 450	07/12 05/12

KAWASAKI



Codice: Code:	Misure: Sizes:	Modello: Model:	Anno: Year:
20.111.0	Ant/Front 3.50"x16.5"	KX 125/250 KXF 250/450	06/12 06/12
20.112.0	Ant/Front 3.50"x17"	KX 125/250 KXF 250/450	06/12 06/12
20.113.0	Post/Rear 4.25"x17"	KX 125/250 KXF 250/450	03/12 03/12
20.114.0	Post/Rear 4.50"x17"	KX 125/250 KXF 250/450	03/12 03/12
20.115.0	Post/Rear 5.00"x17"	KX 125/250 KXF 250/450	03/12 03/12
20.116.0	Post/Rear 5.50"x17"	KX 125/250 KXF 250/450	03/12 03/12

HUSQVARNA




Codice: Code:	Misure: Sizes:	Modello: Model:	Anno: Year:
20.161.0	Ant/Front 3.50"x16.5"	SM 450/510/610	00/10
20.162.0	Ant/Front 3.50"x17"	SM 450/510/610	00/10
20.163.0	Post/Rear 4.25"x17"	SM 450/510/610	00/10
20.164.0	Post/Rear 4.50"x17"	SM 450/510/610	00/10
20.165.0	Post/Rear 5.00"x17"	SM 450/510/610	00/10
20.166.0	Post/Rear 5.50"x17"	SM 450/510/610	00/10






PIASTRE SM SM TRIPLE CLAMPS

HONDA




Codice: Code:	Modello: Model:	Anno: Year:
11.040.0	CRF 450	08
11.030.0	CRF 450	09/12

HUSQVARNA




Codice: Code:	Modello: Model:	Anno: Year:
15.020.0	SM 450R SM 510R	08/10

SUZUKI



Codice: Code:	Modello: Model:	Anno: Year:
13.500.0	RMZ 450	08/09
13.510.0	RMZ 450	10/12

YAMAHA



Codice: Code:	Modello: Model:	Anno: Year:
12.070.0	YZF 450	08/09



ATTACCHI MANUBRIO SM SM HANDLEBAR CLAMPS SUPERMOTARD

1

10.005. A ø 22
10.005. B ø 28,6



UNIVERSALE
UNIVERSAL

10.302. A ø 22
10.302. B ø 28,6



PER PIASTRA KITE
FOR KITE TRIPLE
CLAMPS

10.202. A ø 22
10.202. B ø 28,6



PER PIASTRA HONDA ORIG.
FOR HONDA ORIGINAL TRIPLE
CLAMPS



2

Viti incluse
Screws included



ESEMPIO DI SCELTA CHOICE INSTANCE

Attacco manubrio per piastre Kite con manubrio da ø 28,6 attacco superiore unico, altezza standard.
Handlebar clamps ø 28,6 with unique upper clamps, standard height.

- 1 ATTACCO SUPERIORE.....10.302.B.....
- 2 ATTACCO INFERIORE.....10.007.B.....



ALTEZZA ALTA
HIGH HEIGHT
10.007.C 22 H50
10.007.D 28,6 H50



ALTEZZA STANDARD
STANDARD HEIGHT
10.007.A 22 H40
10.007.B 28,6 H40



ALTEZZA BASSA
LOW HEIGHT
10.007.E 22 H35
10.007.F 28,6 H35



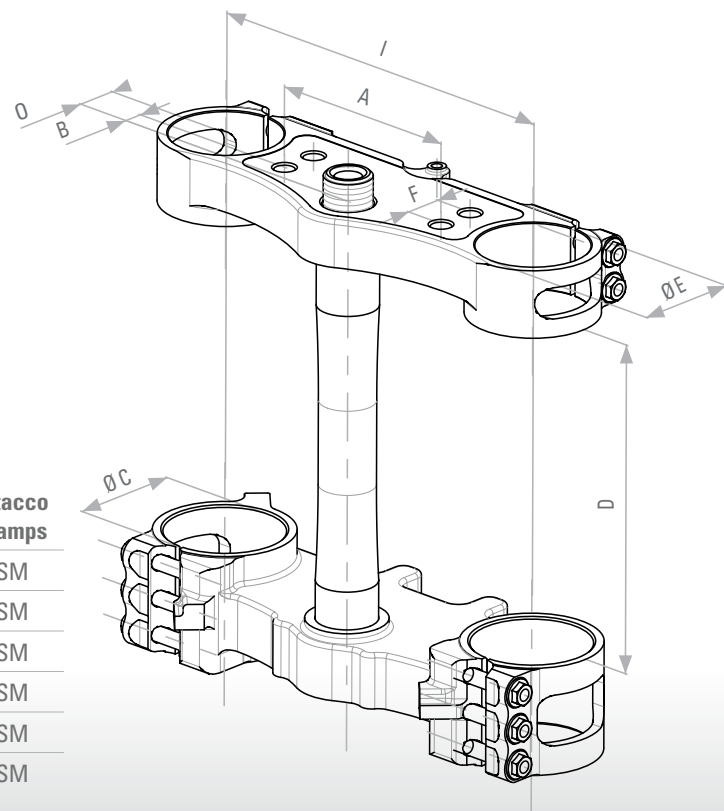
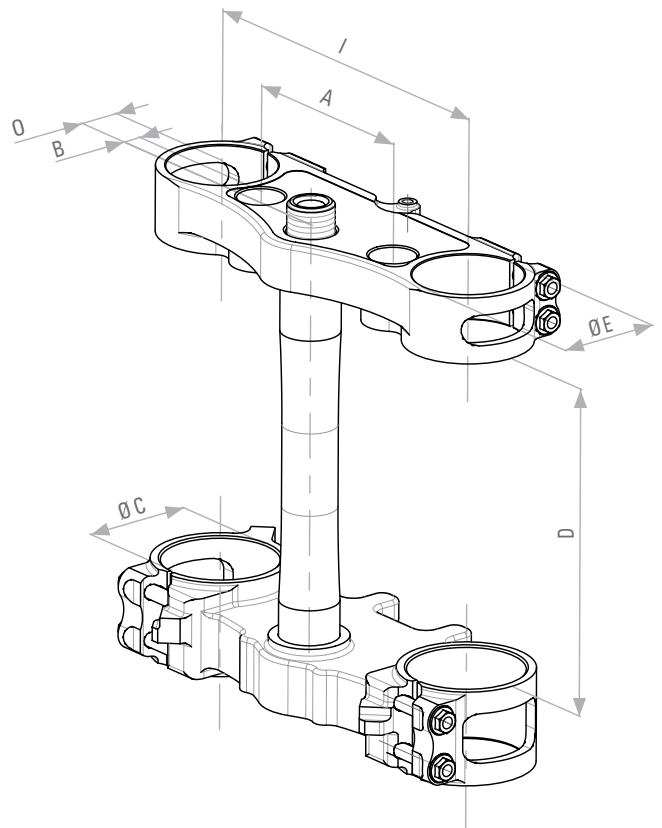
Per maggiori informazioni tecniche vedi pag. 43
For further technical information see page 43



PIASTRE FORCELLA MX

MX TRIPLE CLAMPS

Codice: Code:	I	O	A	B	Ø C	D	Ø E	attacco clamps
11.000.0	192	24	102	10	58,5	180	53	MX
11.020.0	192	22	102	8	58,5	180	53	MX
11.050.0	192	20	102	10	59	180	54	MX
11.700.0	182	28	80	0-20	50,5	140	46	SM
11.710.0	182	30	80	0-20	50,5	140	46	SM
12.000.0	190	25	102	12,5	59	180	56	MX
12.010.0	190	25	102	12,5	58,5	180	54	MX
12.020.0	190	25	102	12,5	59	190	56	MX
12.030.0	190	25	102	12,5	58,5	190	54	MX
12.040.0	192	25	102	10	59	180	56	MX
12.050.0	192	25	102	10	59	190	56	MX
12.060.0	192	25	102	10	59	185	56	MX
12.080.0	192	25	102	5/20	59	185	56	MX
12.090.0	192	22	102	5/20	59	185	54	MX
13.000.0	190	21,5	102	7,5	58,5	175	55	MX
13.020.0	190	21,5	102	14	58,5	175	55	MX
13.030.0	190	21,5	102	10	58,5	175	55	MX
13.040.0	190	21,5	102	10	58,5	185	55	MX
14.000.0	190	24	102	10	59	170	56	MX
14.010.0	190	24,5	102	10	58,5	185	53	MX
14.020.0	190	24	102	9,5	59	185	54	MX
14.030.0	190	22,5	102	10	58,5	185	53	MX
14.040.0	190	23	102	9,5	59	185	54	MX
14.070.0	190	23	102	9,5	59	185	54	MX
15.000.0	200	25	102	18	61	185	58	MX
15.010.0	200	18	102	11	61	185	58	MX
15.030.0	200	25	102	18	59,3	185	54	MX
15.050.0	192	15	93	8-20	59,3	185	54	SM
16.000.0	190	20	102	16	60	185	54	MX
16.020.0	175	14	80	9-29	52,5	150	49	SM
16.030.0	160	22	75	13-33	48	155	44	SM



PIASTRE FORCELLA SM

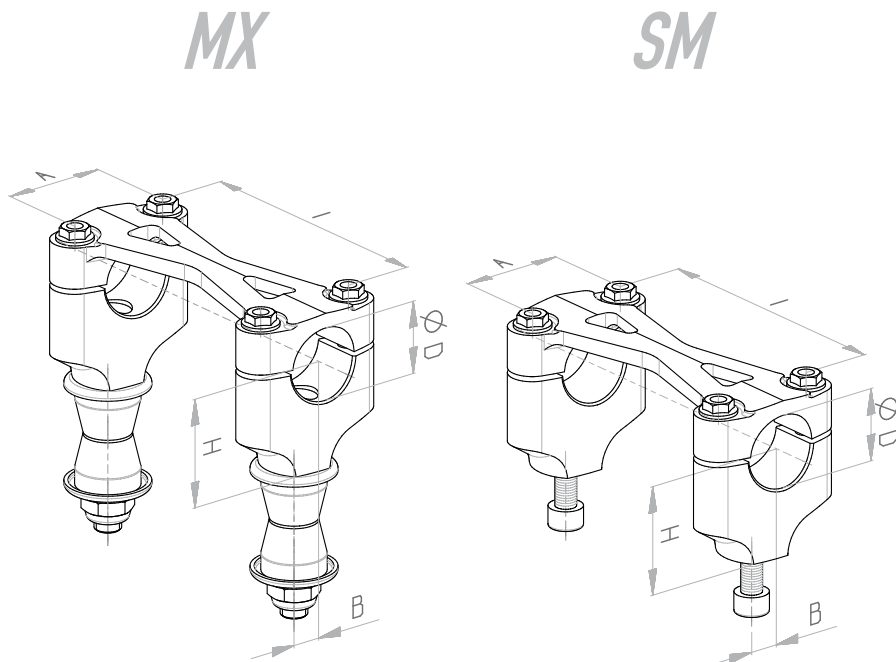
SM TRIPLE CLAMPS

Codice: Code:	I	O	A	B	Ø C	D	Ø E	F	attacco clamps
11.030.0	200	20-18	102	7	59	180	54	20	SM
11.040.0	200	22-20	102	7	58,5	180	53	20	SM
12.070.0	200	25-23	102	10	59	185	56	20	SM
13.500.0	200	21,5-19,5	102	10	58,5	170	55	20	SM
13.510.0	200	21,5-19,5	102	10	58,5	180	55	20	SM
15.020.0	205	17-15	102	3	61	170	58	20	SM

ATTACCHI MANUBRIO

HANDLEBAR CLAMPS

Codice: Code:	I	H	Ø D	A	B
10.005.A			22	41	
10.005.B			28,6	41	
10.302.A	102		22	41	
10.302.B	102		28,6	41	
10.202.A	106,5		22	41	
10.202.B	106,5		28,6	41	
10.007.A		40	22	41	5
10.007.B		40	28,6	41	5
10.007.C		50	22	41	5
10.007.D		50	28,6	41	5
10.007.E		35	22	41	5
10.007.F		35	28,6	41	5
10.307.A		40	22	41	5
10.307.B		40	28,6	41	5
10.307.C		50	22	41	5
10.307.D		50	28,6	41	5
10.307.E		35	22	41	5
10.307.F		35	28,6	41	5



Codice: Code:	Modello: Model:	I	Ø D	A
10.308.0	Honda CR-CRF	106	22	32,5
10.309.0	Yamaha YZ-YZF	99	28,6	40,1
10.310.0	KTM EXC-EXCF	90	28,6	38
10.310.1	KTM SX-SXF	90	28,6	38
10.311.0	Kawasaki KX-KXF	98	22	33,8
10.311.1	Kawasaki KX-KXF	97	22	33,8
10.312.0	Suzuki RM-RMZ	96	28,6	41
10.313.0	Husqvarna TC	93	28,6	50

